

F50 FD50

Walk behind scrubber
Manual book

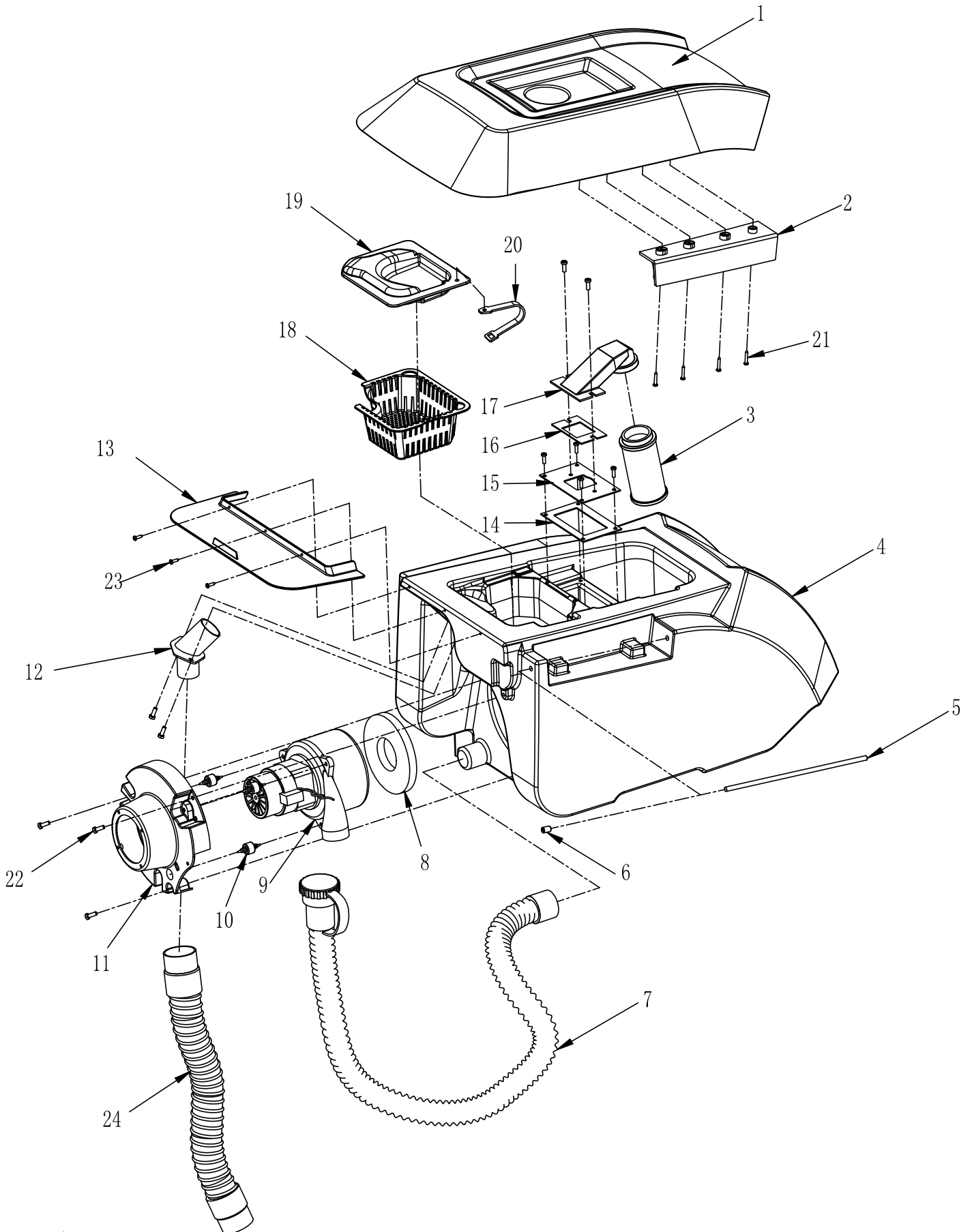
2019年2月版



TABLE OF CONTENTS

RECOVERY TANK GROUP.....	1
F50 CONTROL PANEL GROUP.....	3
FD50 CONTROL PANEL GROUP.....	5
SOLUTION TANK GROUP.....	7
DISC BRUSH GROUP.....	9
REPLACEMENT BRUSH AND PAD.....	11
MAGNETIC BRUSH.....	13
BRUSH LIFT GROUP.....	15
WHEEL GROUP (F50)	17
WHEEL GROUP (FD50)	19
SQUEEGEE LIFT GROUP.....	21
ELECTRIONIC VALVE FILTER COMPONENTS.....	23
BATTERY GROUP.....	25

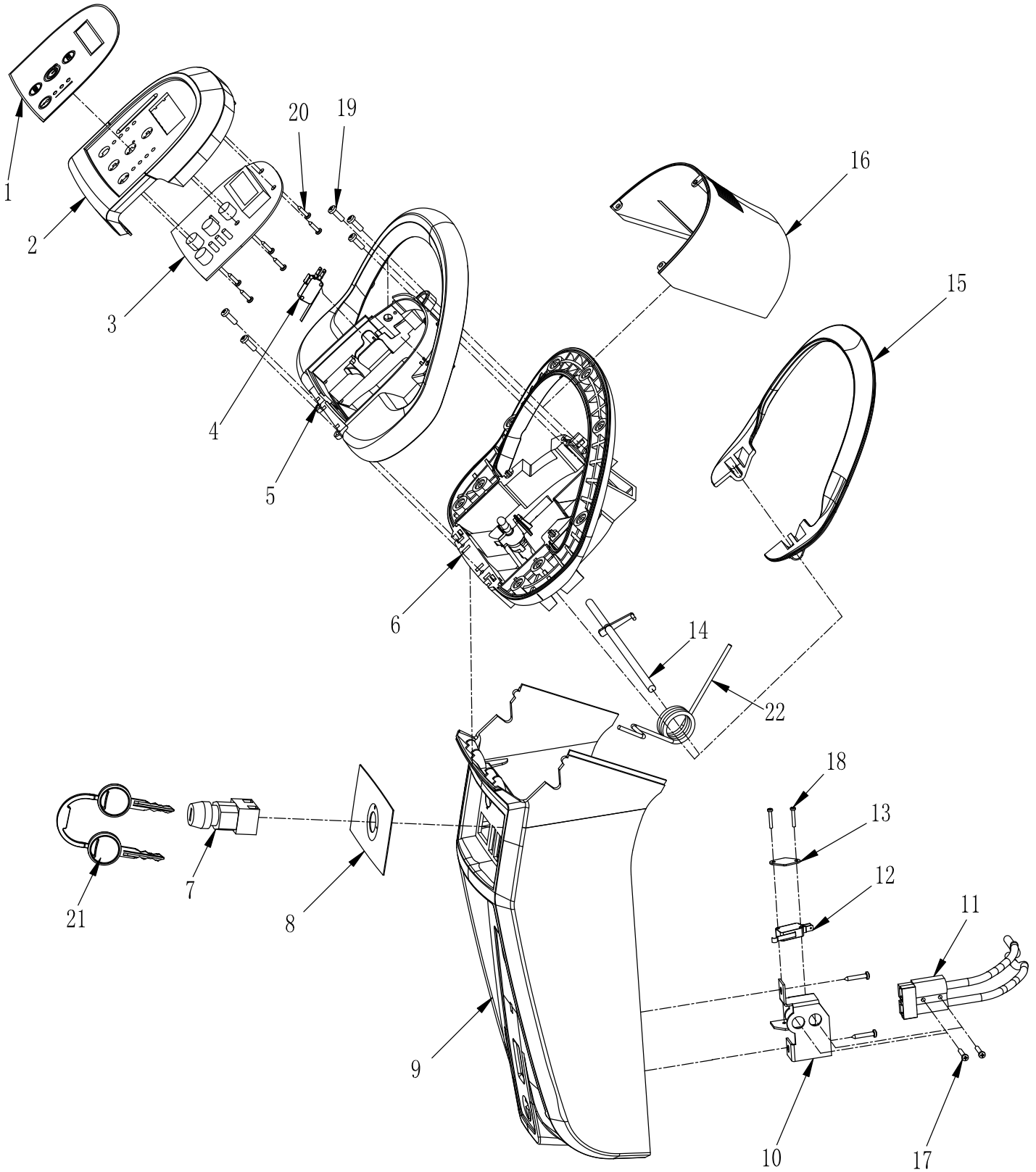
RECOVERY TANK GROUP



RECOVERY TANK GROUP

REF	PART NO	DESCRIPTION	QTY
1	F501706	Lid Assy	1
2	F501712	Connect,tank	1
3	170008	Float, Shut-Off, 2 Balls	1
4	F501705	Recovery tank	1
5	F501602	Hinge Pin	1
6	LS77#.8	M10*10 screw	1
7	F501902	Hose Assy, Drain	1
8	Z50203	Gasket, Vacuum	1
9	Z30209	Vacuum motor	1
10	Z30204	Gasket	1
11	F501707	Vacuum motor cover	1
12	F501718	Connect vacuum tube	1
13	F501717	Water fender	1
14	F501904	Connect fix plate ,gasket	1
15	F501605	Connect fix plate,Float ball	1
16	370005	Connect gasket,Float ball	1
17	370004	Connect,Float ball	1
18	F501700	Garbage basket	1
19	F501701	Cover basket	1
20	F501716	Fix Garbage basket	1
21	845	Φ4*35 screw	4
22	933	M6*16 screw	11
23	818	M4*16screw	3
24	F501901	Suction hose	1

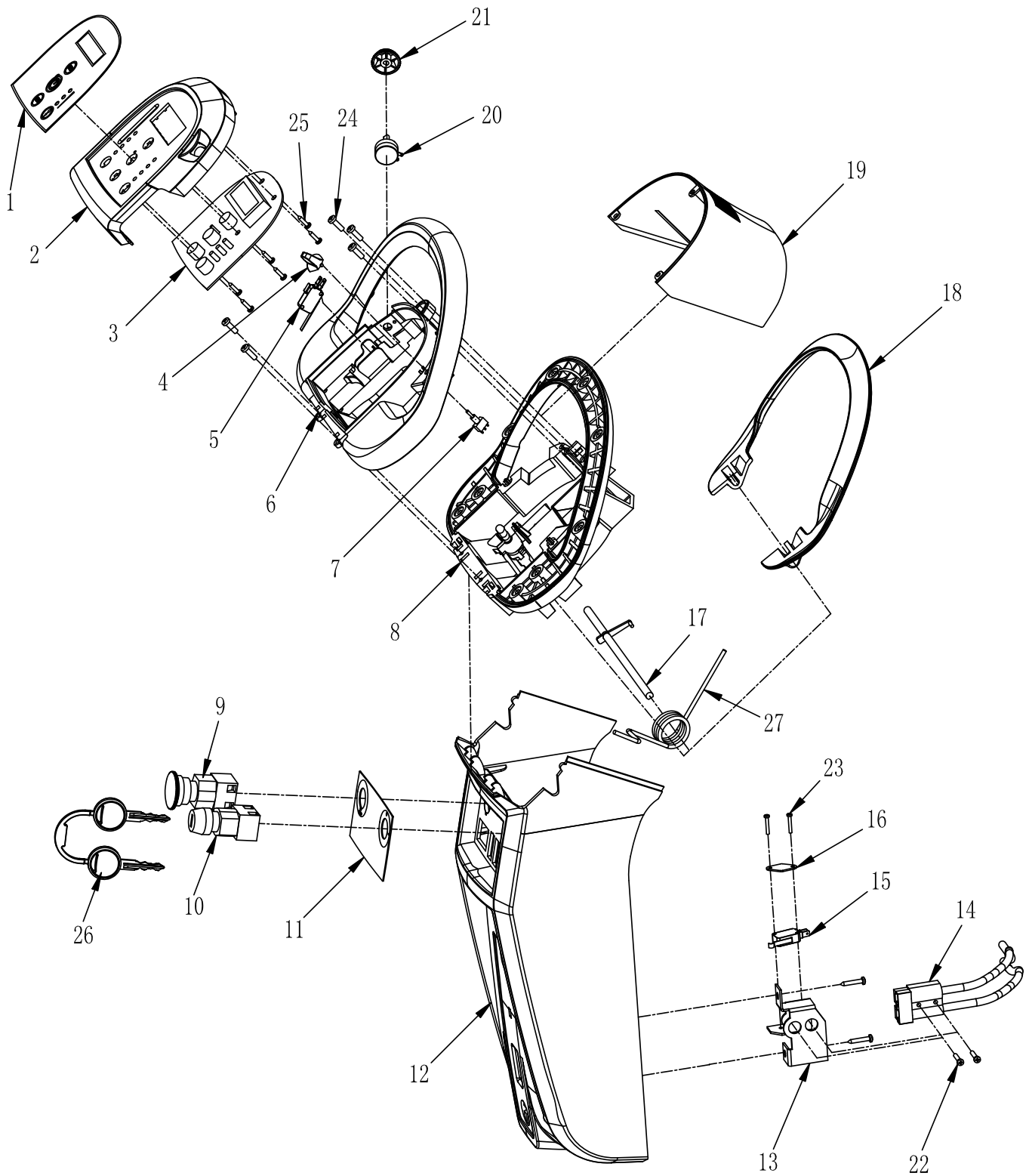
F50 Control Panel Group



F50 Control Panel Group

REF	NO	DESCRIPTION	QTY
1	TB0072	Panel sticker	1
2	F501708	Panel cover	1
3	F501800	Panel	1
4	280001	Switch (Straight long)	1
5	F501720	Handle cover	1
6	F501721	Handle cover bottom	1
7	880001	Lock	1
8	TB0080	Sticker	1
9	F501722	Operation plate	1
10	260013P	Charger fix	1
11	180030	Charger plug	1
12	180023	Switch (Curve)	1
13	360014	Plate, Thread, Switch	1
14	F501606	Start	1
15	F501601	Console start lever	1
16	F501713	Panel cover front	1
17	818	M3*20 screw	4
18	845	Φ4*16 screw	2
19	818	M4*16 screw	5
20	845	Φ3*12 screw	6
21	FD1301804	Key	1
22	T15011	Spring	1

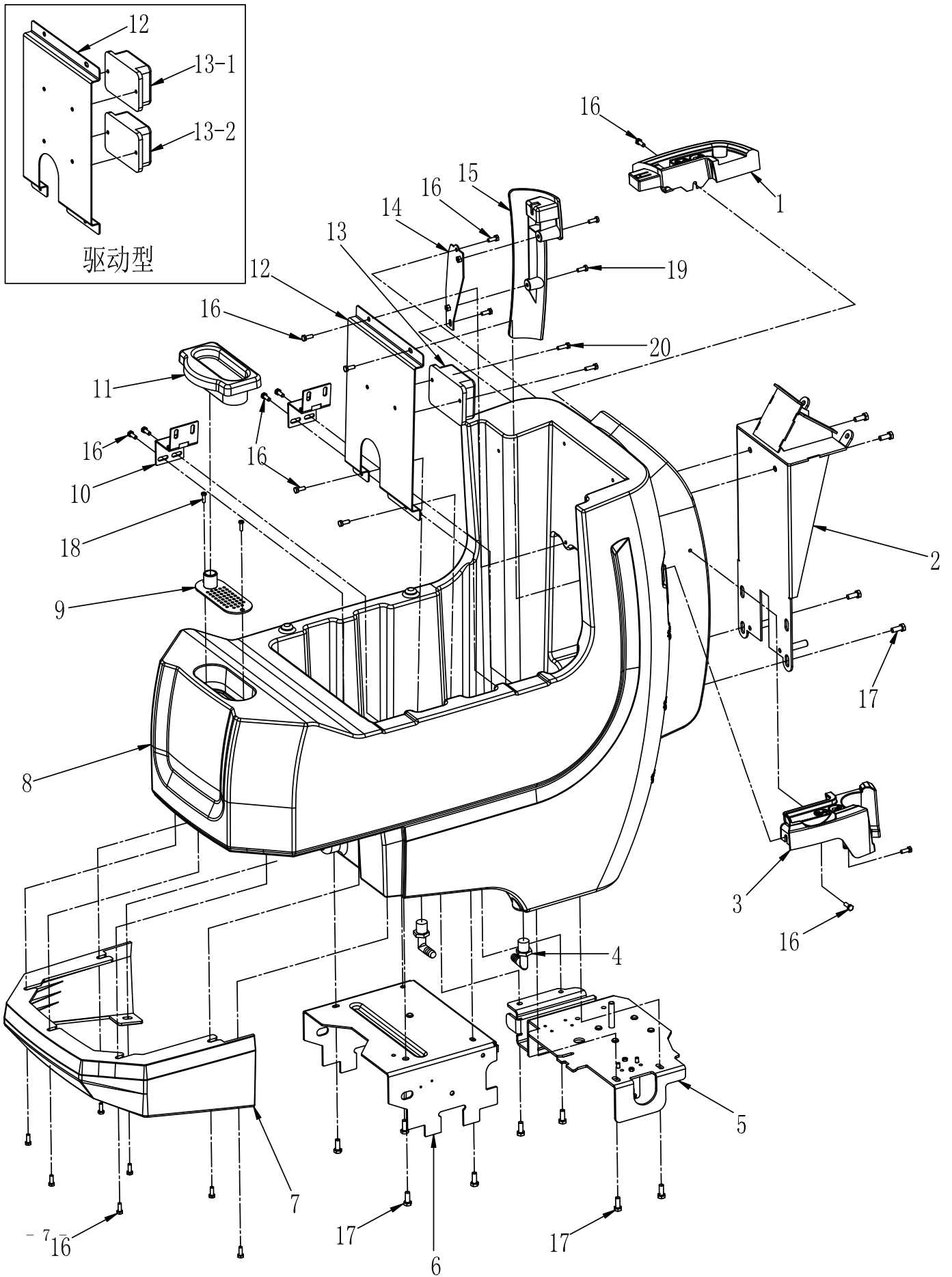
FD50 Control Panel Group



FD50 Control Panel Group

REF	NO	DESCRIPTION	QTY
1	TB0072	Panel sticker	1
2	F501723	Panel cover	1
3	F501800-D	Panel	1
4	F501719	Button	1
5	280001	Start switch	1
6	F501720	Operate handle front cover	1
7	F501802	Back button	1
8	F501721	Handle cover back	1
9	780017	Stop Button	1
10	FD1301801	Lock	1
11	TB0081	Panel sticker	1
12	F501722	Operation plate bottom	1
13	260013P	Charger fix	1
14	180030	Charger plug	1
15	180023	Switch (Curve)	1
16	360014	Plate, Thread, Switch	1
17	F501606	Console start lever	1
18	F501601	Start	1
19	F501713	Handle cover	1
20	F501801	Governor	1
21	F501709	Governor knob	1
22	818	M3*20 screw	4
23	845	Φ4*16 screw	2
24	818	M4*16 screw	5
25	845	Φ3*12 screw	6
26	FD1301804	Key	1
27	T15011	Spring	1

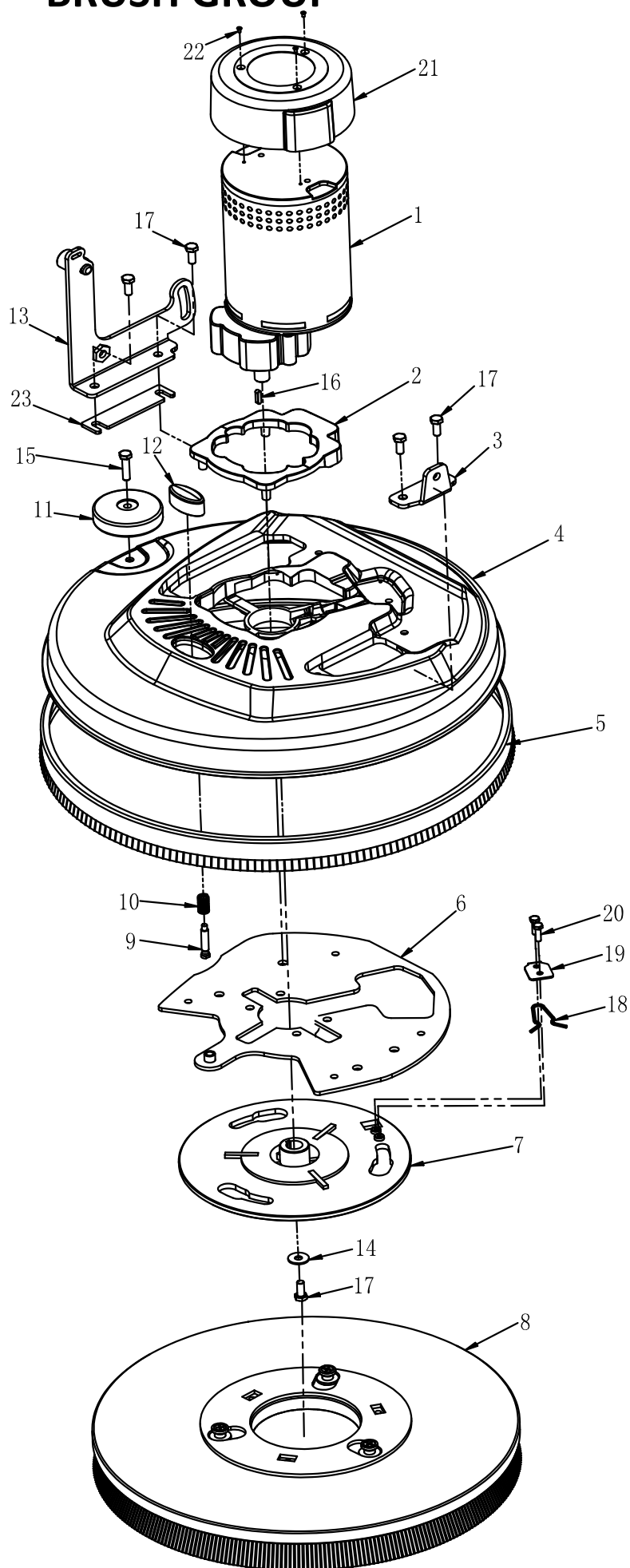
SOLUTION TANK



SOLUTION TANK

REF	CODE	DESCRIPTION	QTY
1	F501715	Hanger right	1
2	F501607	Panel fix	1
3	F501711	Hanger left	1
4	270012P	7 Shape connect	2
5	F501610	Plate back bottom	1
6	260008P	Plate front bottom	1
7	F501703	Fender plate front	1
8	F501704	Solution tank	1
9	270014P	Water inlet ,filter net	1
10	F501604	Hinge	1
11	270015P	Tank add water cover	1
12	F501608	Controller fix plate	1
13	F501803	Controller	1
13-1	F501804-250	Controller (Drive)	1
13-2	F501804-350	Controller (Drive)	1
14	F501609	Hanger plate,right	1
15	F501710	Hanger attachment,right	1
16	933	M6*16screw	20
17	933	M8*20 screw	12
18	818	M5*12 screw	2
19	818	M6*16 screw	2
20	818	M4*20 screw	4

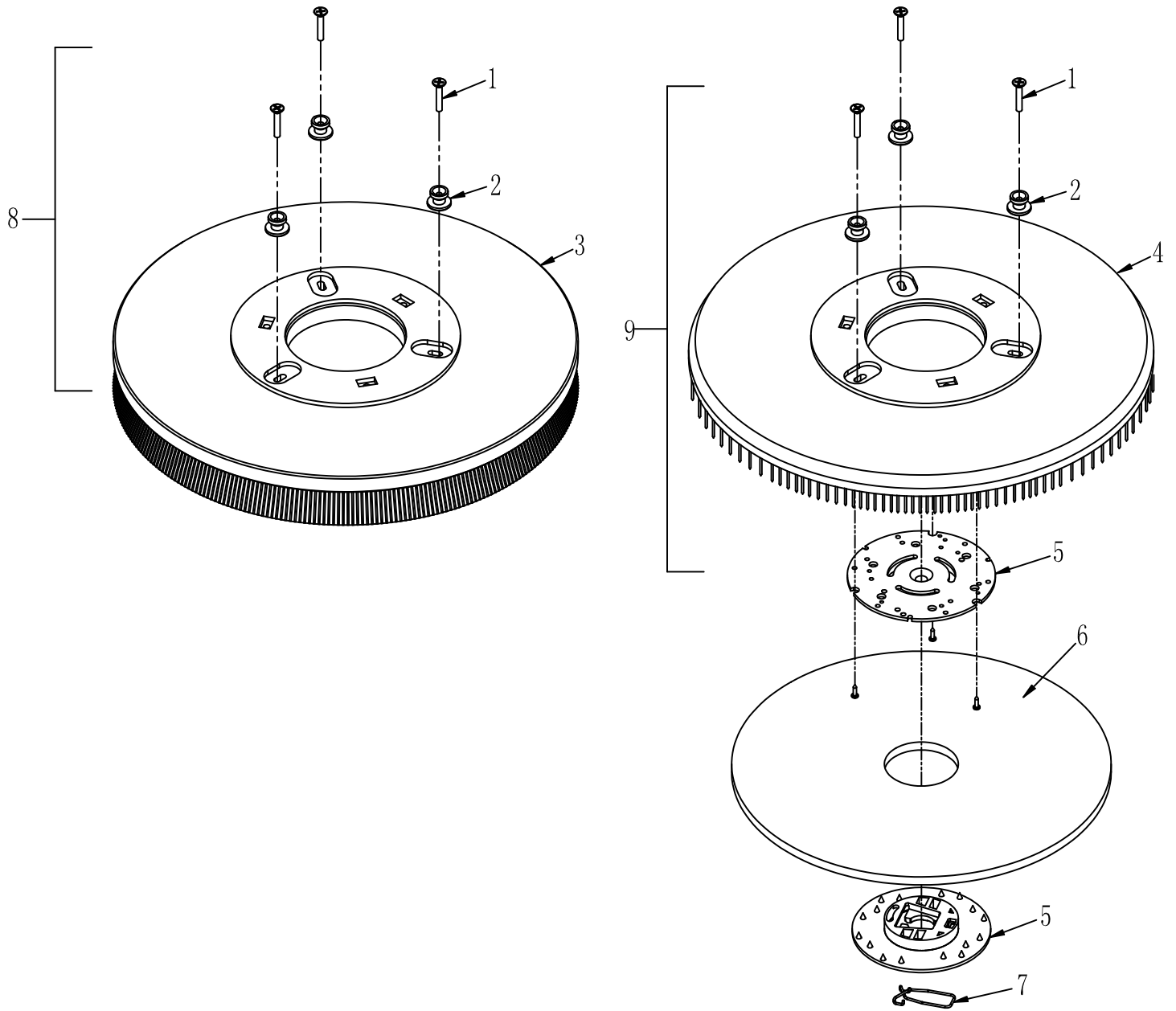
BRUSH GROUP



BRUSH GROUP

REF	NO	DESCRIPTION	QTY
1	M50303	Brush motor	1
2	F501702	Brush cover plate	1
3	260019P	Brush plate lifting ,connect	1
4	270016P	Brush cover	1
5	270019P	Water Fender	1
6	260017P	Brush motor fix plate	1
7	260012P	Drive,Pad	1
8	S50117	20in Brush	1
9	260023P	Screw	1
10	T130015	Pin spring	1
11	190015	Fender wheel	1
12	270003P	Knob	1
13	260018P	Brush lifting fix plate	1
14	PD008	Φ8*Φ22 Gasket	1
15	933	M8*25 Screw	1
16		6*6*20 Flat	1
17	933	M8*20 screw	5
18	T13004	Spring	1
19	360025	Plate	1
20	933	M6*20 screw	2
21	F501725	Cover,brush motor	1
22	819	M3 Screw	3
23	360028	Gasket	1

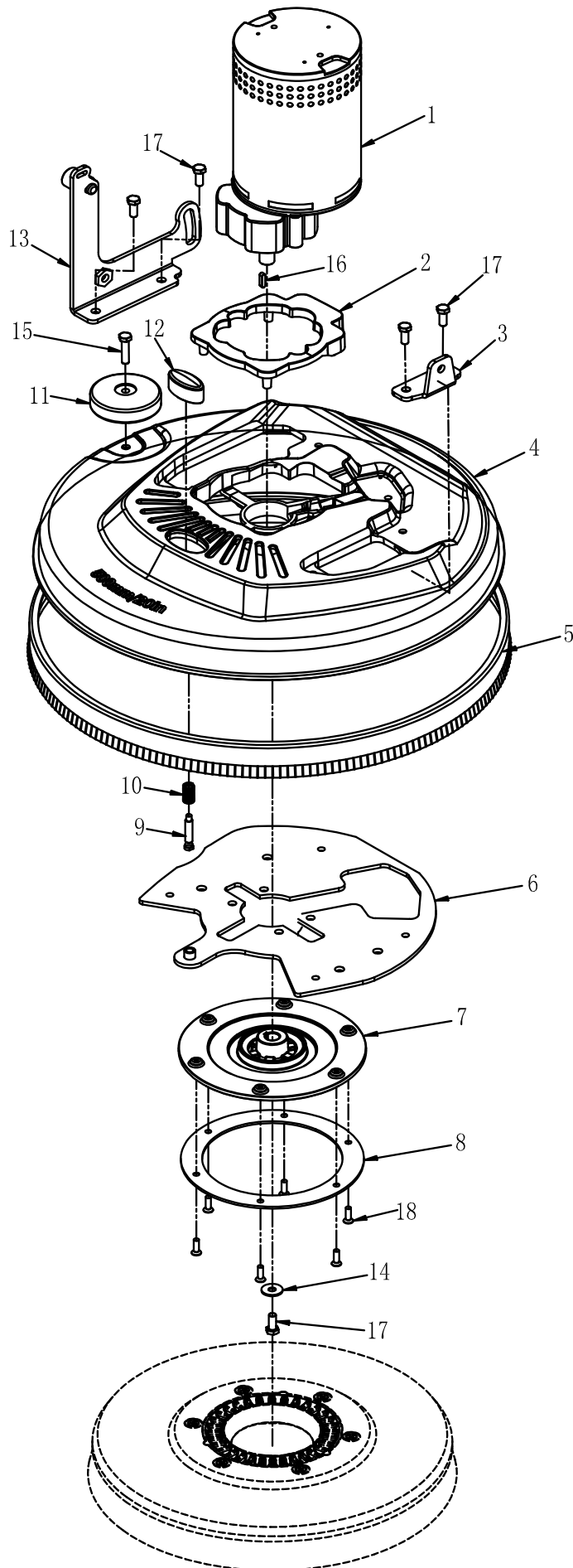
REPLACEMENT BURSH AND PAD



REPLACEMENT BURSH AND PAD

REF	NO	DESCRIPTION	QTY
1	818	M6×40 Screw	3
2	S30102	Bolt	3
3	S50107	Brush	1
4	S30103	Pad drive	1
5	S50104	Device, Centering	1
6	S30107	White Pad	1
6	S30108	Red Pad	1
6	S30106	Black Pad	1
7	T15010	Spring	1
8		Brush group	
9		Pad drive group	

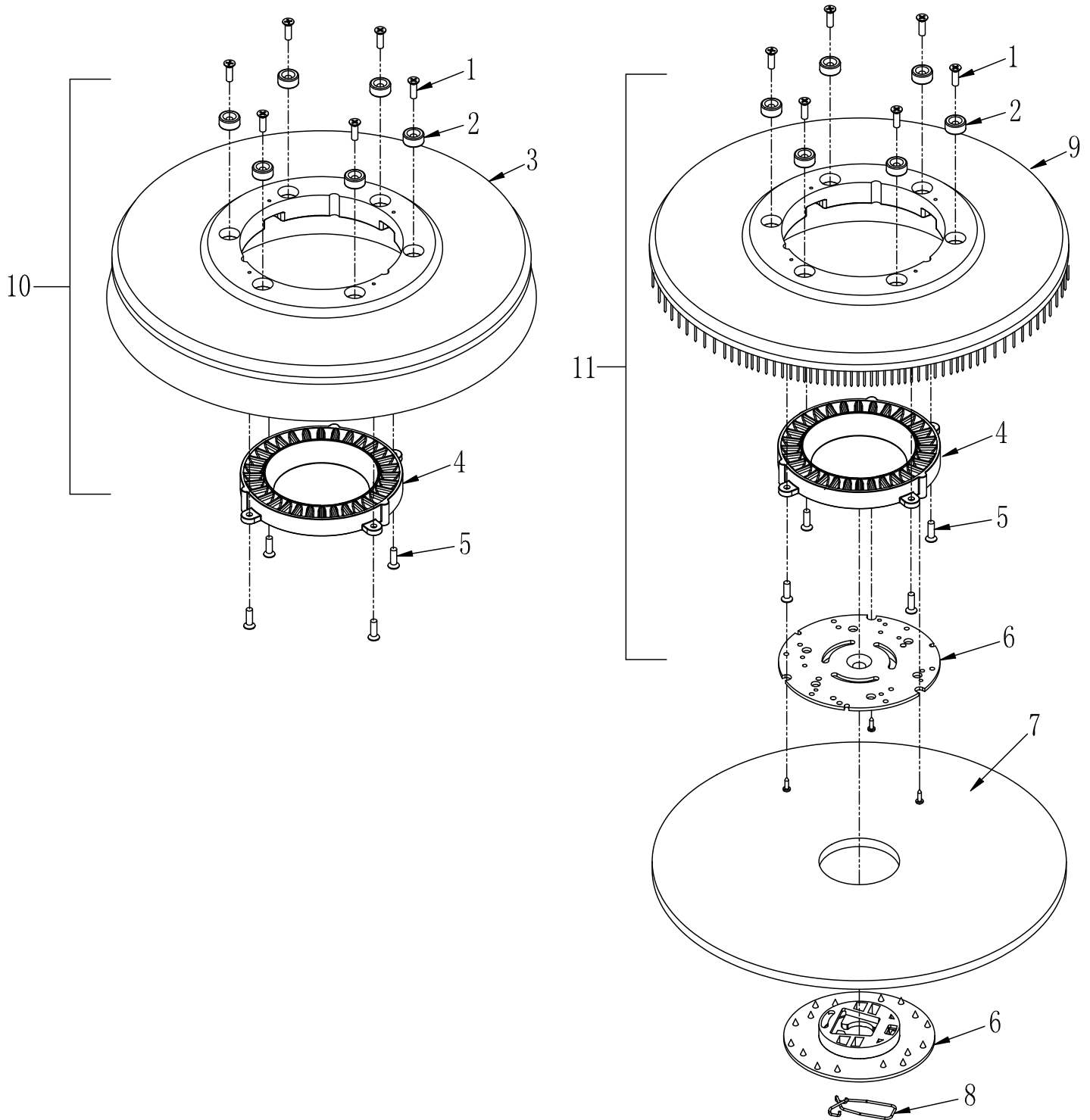
MAGNETIC BRUSH GROUP



MAGNETIC BRUSH GROUP

REF	NO	DESCRIPTION	QTY
1	M50303	Brush motor	1
2	F501702	Brush cover plate	1
3	260019P	Brush plate lifting ,connect	1
4	270016P	Brush cover	1
5	270019P	Water Fender	1
6	260017P	Brush motor fix plate	1
7	260030PS	Brush Drive device	1
8	260036PS	Brush Drive device accessories	1
9	FD501611	Pin	1
10	T13005	Spring	1
11	190015	Fender wheel	1
12	270003P	Knob	1
13	260018P	Brush lifting fix plate	1
14	PD008	Φ8*Φ22 Gasket	1
15	933	M8*25 Screw	1
16		6*6*20 Flat	1
17	933	M8*20 Screw	5
18	819	M5*12 screw	1

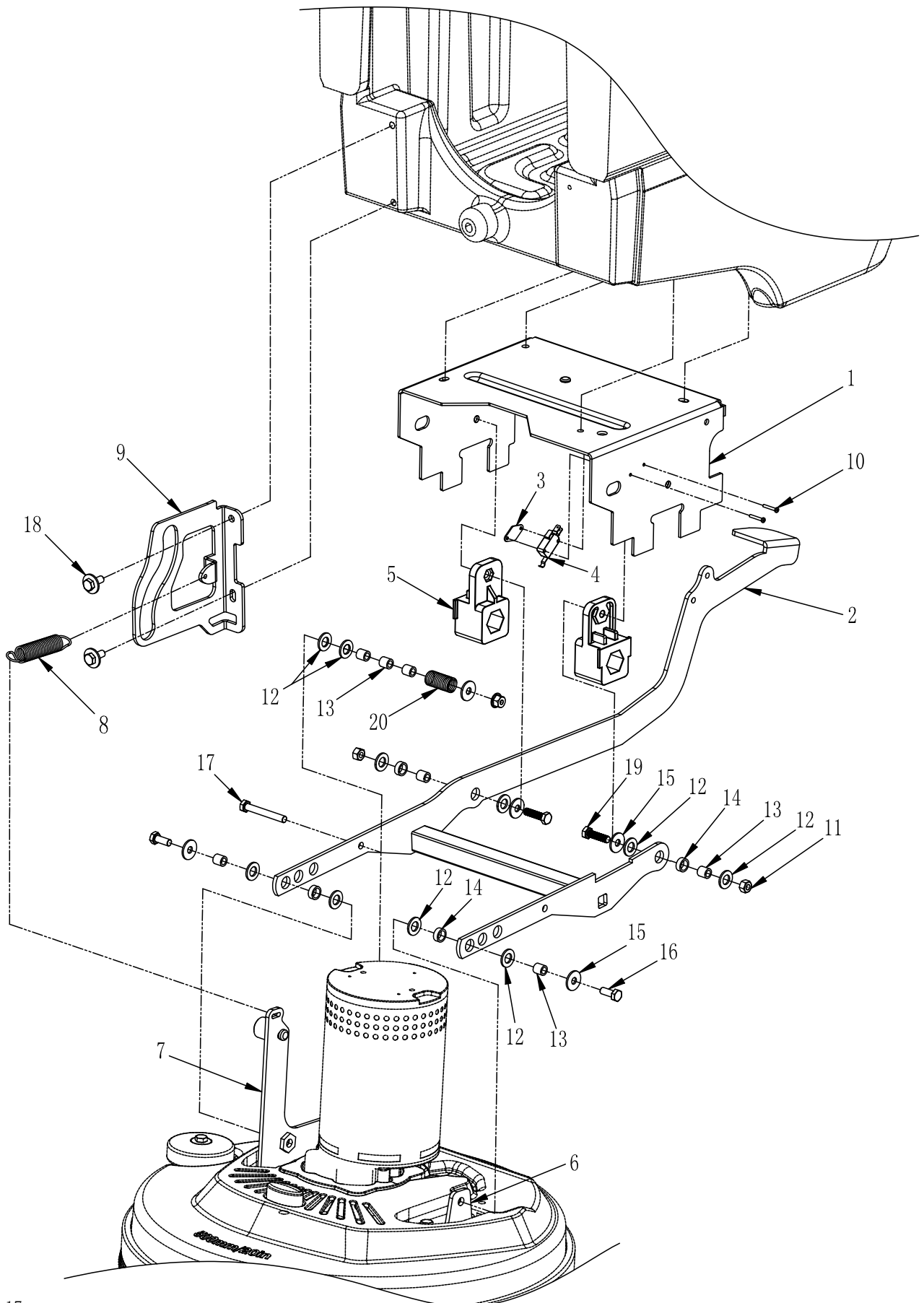
MAGNETIC BRUSH



MAGNETIC BRUSH

REF	NO	DESCRIPTION	QTY
1	846	Φ6.3*25 Screw	6
2	FD1301664 (Big)	Magnetic	6
3	S50117CL	Brush	1
4	F501714	Brush drive part	1
5	846	Φ4.5*16 screw	4
6	S50104	Device, Centering	1
7	S30108	Cleaning pad	1
8	T15010	Spring	1
9	S50116CL	Pad drive	1
10		Magnetic brush group	1
11		Magnetic Pad drive group	1

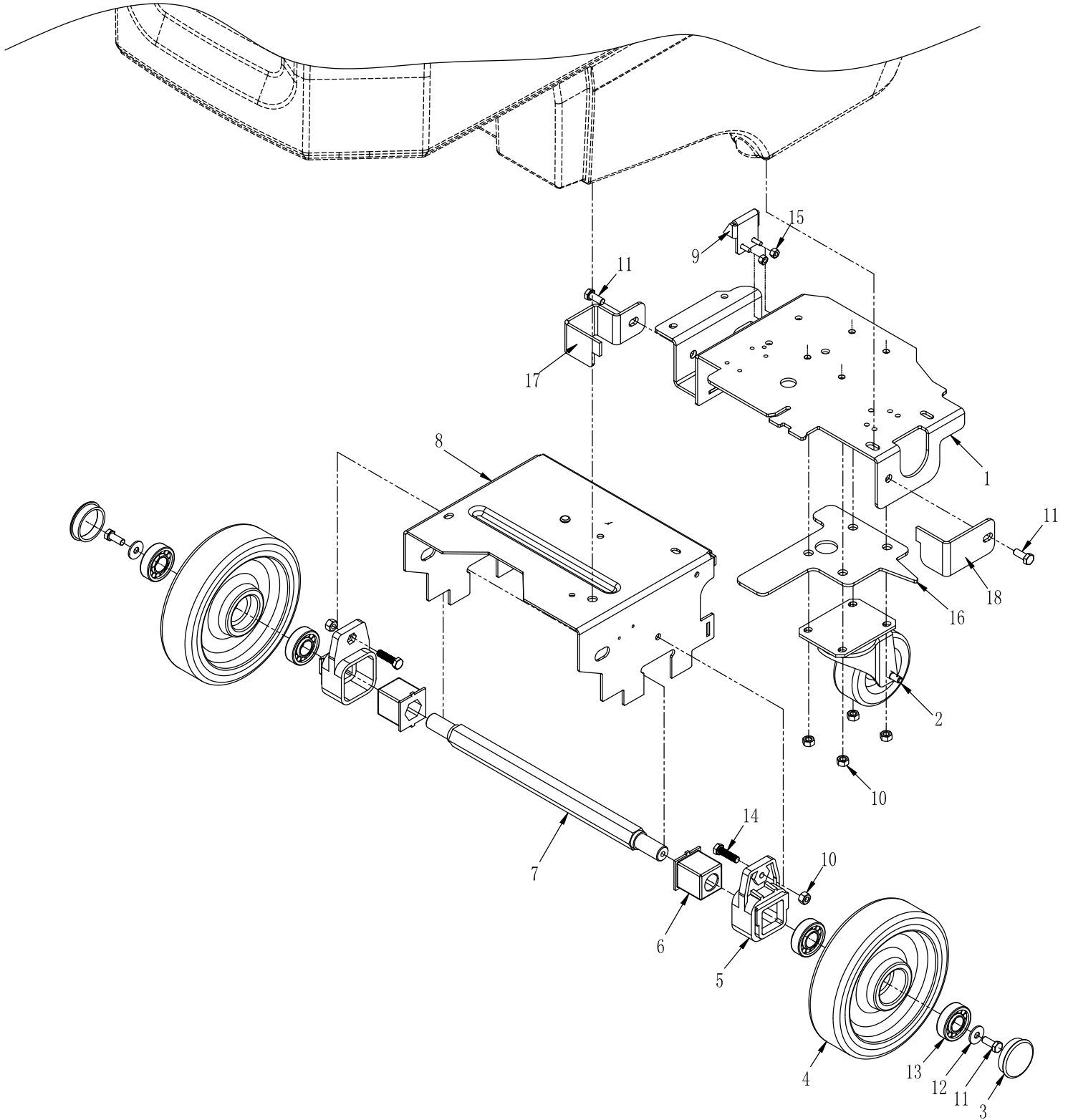
BRUSH LIFT GROUP



BRUSH LIFT GROUP

REF	NO	DESCRIPTION	QTY
1	260008P	Plate front	1
2	260020P	Brush lift foot pole	1
3	360014	Rhombus	1
4	180023	Switch (Curve)	1
5	360036 (New)	Adapter (FD50)	2
5	360036	Adapter (F50)	2
6	260019P	Connect,Brush lift	1
7	260018P	Brush lift fix plate	1
8	T13006	Spring	1
9	260016P	Brush lift Guide plate	1
10	818	M3*20 Screw	2
11	934	M8 Nut	3
12	PD0021	Gasket	10
13	FM002	12*12.5 Powder metallurgy	7
14	FM006	16*12*5.5 Powder metallurgy	4
15	PD008	8*22*2 Gasket	5
16	933	M8*25 Screw	2
17	933	M8*60 Screw	1
18	933	M8*20 Screw	2
19	933	M8*35 Screw	2
20	T13007	Spring	1

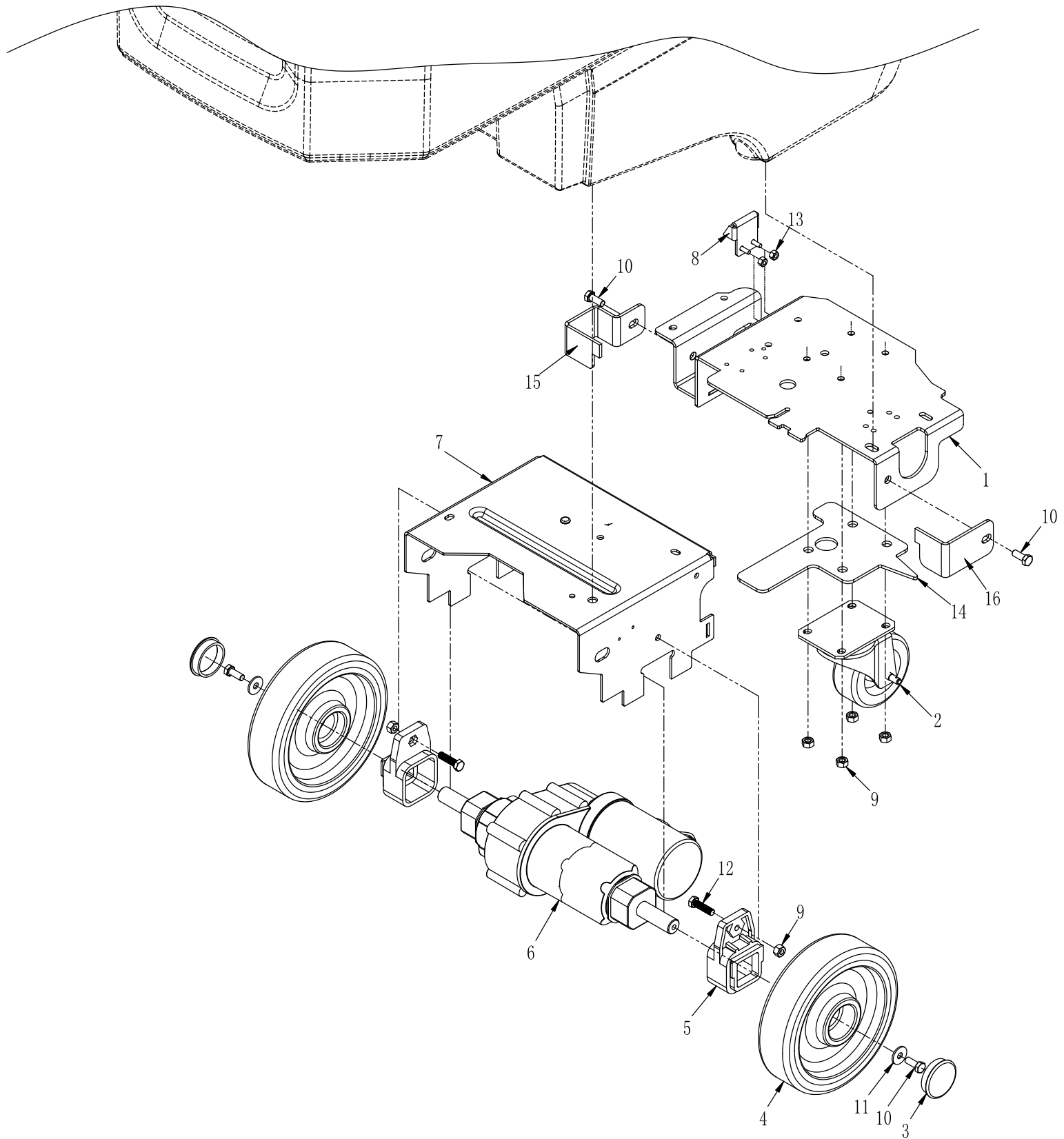
WHEEL GROUP (F50)



WHEEL GROUP (F50)

REF	NO	DESCRIPTION	QTY
1	F501610	Plate Back	1
2	290001P	Caster	1
3	F501724	Wheel cover	2
4	F509DL	Front wheel	2
5	360036	Adapter (F50)	2
6	370022	Axle fastener	2
7	360023	Axle	1
8	260008P	Plate front	1
9	360021	Brush lift	1
10	934	M8 Nut	6
11	933	M8*20 Screw	2
12	PD008	8*22*2 Gasket	2
13	116	6204 Bearing	4
14	933	M8*30 Screw	2
15	934	M6 Nut	2
16	260015P	Universal wheel flix plate	1
17	660033	Bracket	1
18	260028P	Protect plate,right	1
19	260029P	Protect plate,left	1

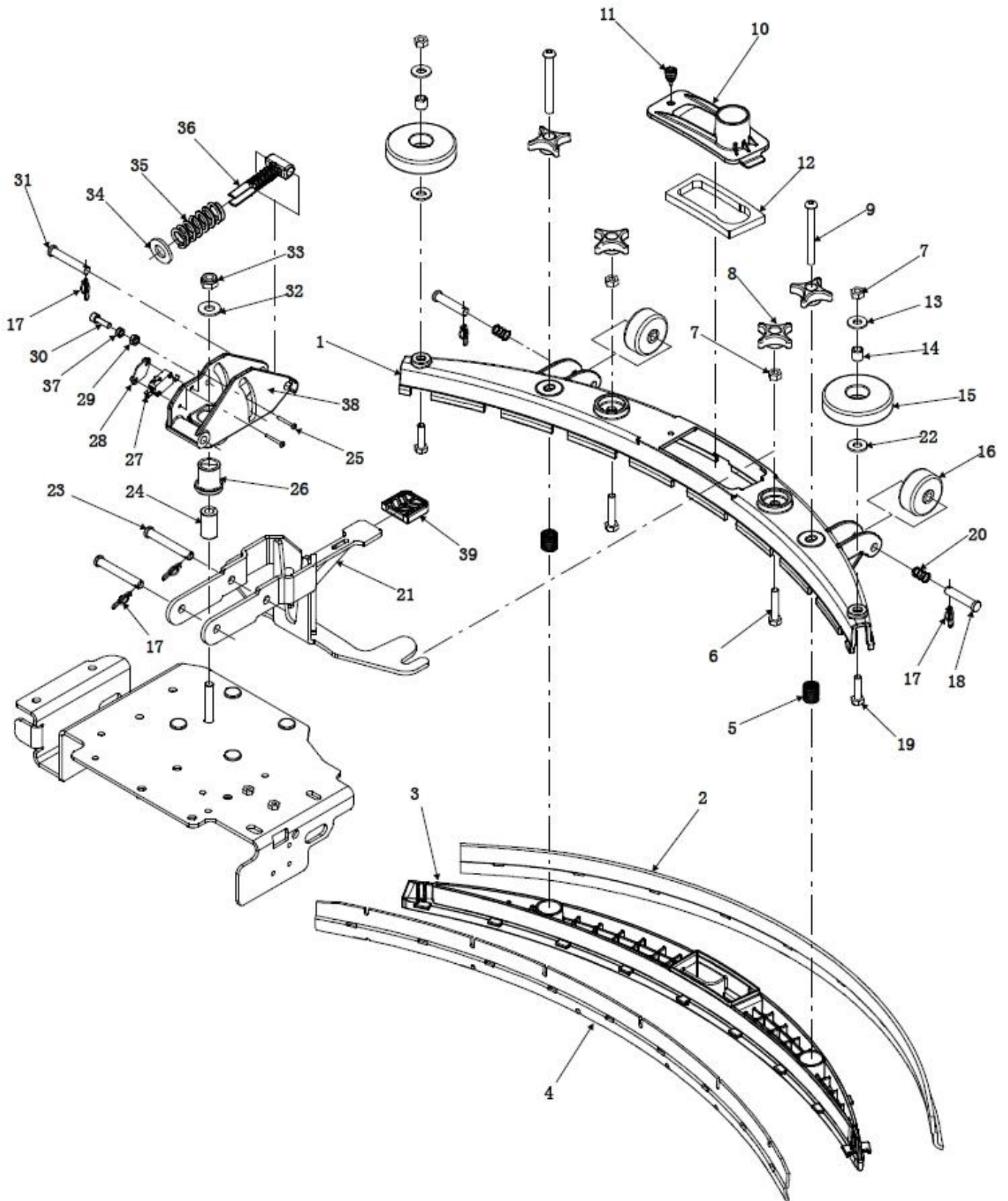
WHEEL GROUP (FD50)



WHEEL GROUP (FD50)

REF	NO	DESCRIPTION	QTY
1	F501610	Plate Back	1
2	290001P	Caster	1
3	590037	Wheel cover	2
4	390048	Front wheel	2
5	360036 (New)	Adapter (FD50)	2
6	Q30401	Transaxle	1
7	260008P	Plate front	1
8	360021	Brush lift	1
9	934	M8 Nut	6
10	933	M8*20 Screw	2
11	PD008	8*22*2 Gasket	2
12	933	M8*30 Screw	2
13	934	M6 Nut	2
14	260015P	Universal wheel flix plate	1
15	260028P	Protect plate,right	1
16	260029P	Protect plate,left	1

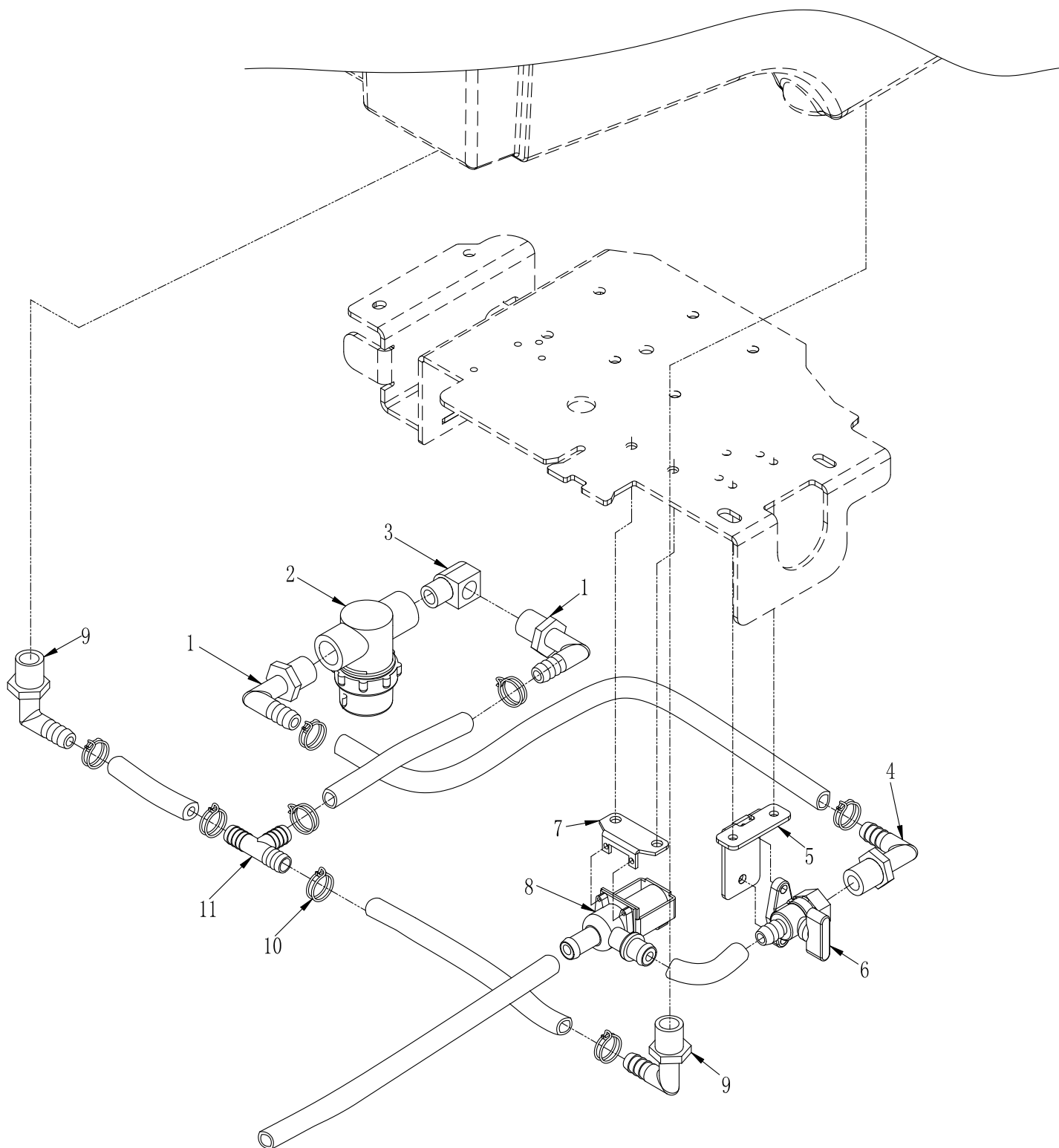
SQUEEGEE LIFT GROUP



SQUEEGEE LIFT GROUP

REF	CODE	DESCRIPTION	QTY
1	260003P	Frame, Sqge	1
2	270009P	Blade, Sqge, Back	1
3	270002P	Bracket, Sqge	1
4	270008P	Blade, Sqge, Front	1
5	T12006	Spring	2
6	933	M8*40 Screw	2
7	934	M8 Nut	2
8	170018	Knob, Star,Small	4
9		M8*80	2
10	270004P	Squeegee Blade outlet	1
11	290003P	Screw	1
12	290004P	Gasket	1
13	PD007	8*19*2 Gasket	2
14	FM002	12*12.5 powder metallurgy	2
15	190015	Fender Wheel	2
16	290002P	Squeegee support wheel	2
17	T13008	Spring Pin	5
18	260002P	Pin	2
19	933	M8*30 Screw	2
20	T12005	Spring	2
21	260021P	Squeegee Lift Bracket	1
22	PD008	8*22*2 Gasket	2
23	260005P	Pin	2
24	260007P	Sleeve bush	1
25	818	M3*25 Screw	2
26	260006P	Copper bush	1
27	180023	Switch curve	1
28	360014	Rhombus	1
29	304	M6 Nut	1
30	818	M6*16 Screw	1
31	260004P	Pin	1
32	PD97#.5	M10 Gasket	1
33	304	M10 NUT	1
34	PD0024	20*35*2.5 NUT	1
35	T12008	Spring	1
36	270001P Thick	Bracket	1
37	934	M6 Nut	1
38	260011P	steering gear assembly	1
39	290015	Antiskid Gasket	1

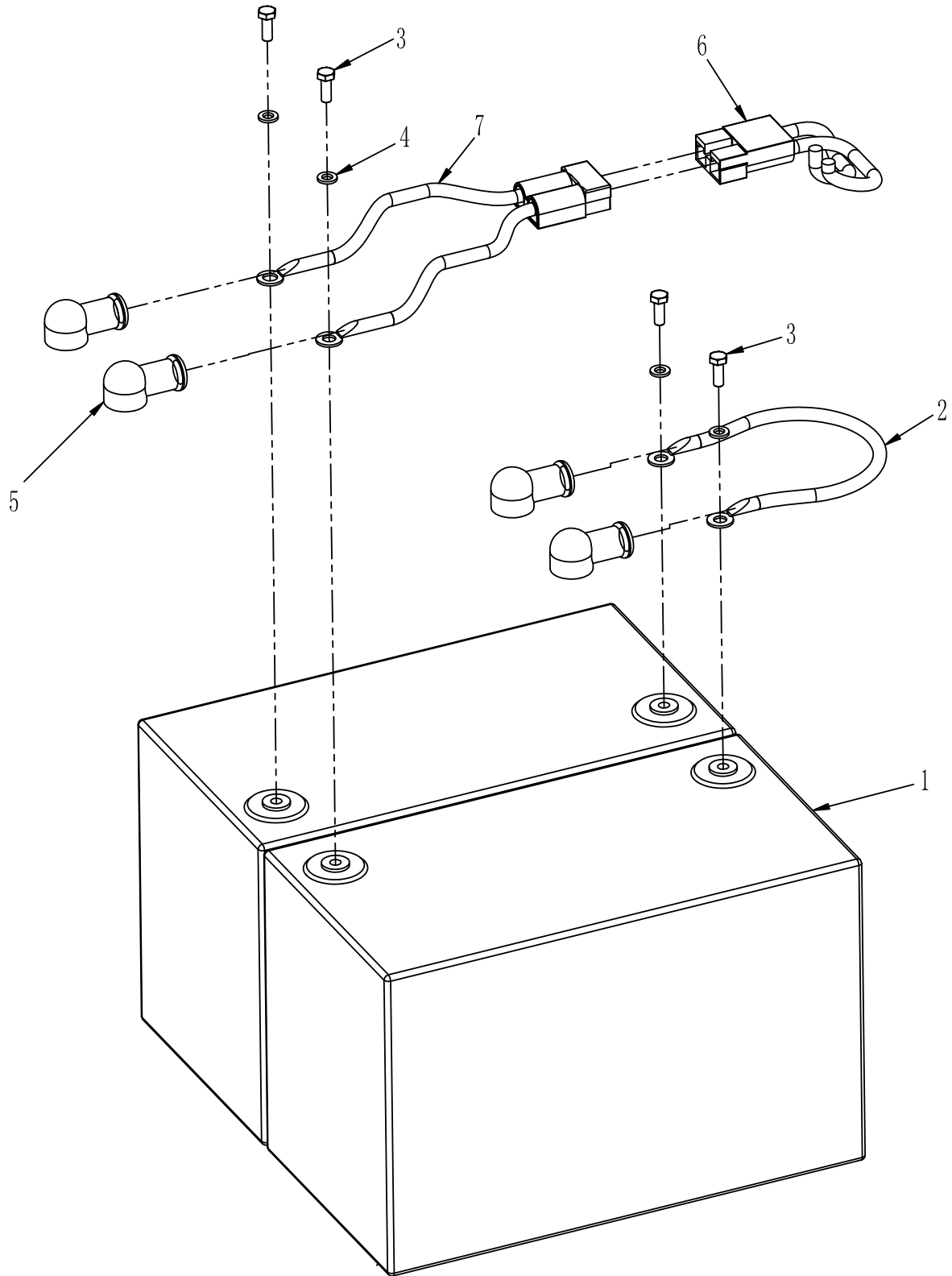
ELECTRONIC VALVE FILTER COMPONENTS



ELECTRIONIC VALVE FILTER COMPONENTS

REF	NO	DESCRIPTION	QTY
1	370031	Fitting, "7"	2
2	170010	Filter Assembly	1
3	370030	Fitting, Contact	1
4	570029	Connect	1
5	260027P	Water switch plate	1
6	260026P	Water switch	1
7	260029	Electronic Valve,Bracket	1
8	280003P	Electronic Valve	1
9	270012P	Fitting, "7"	2
10	190004	Clip	8
11	270013P	Connect	1
12	818	Nut	1
13	818	Nut	1

BATTERY GROUP



BATTERY GROUP

REF	NO	DESCRIPTION	QTY
1	390045	Battery	2
2		Boot, Terminal, Battery	1
3		M6*30 Screw	4
4		M6 Gasket	4
5	170018(1)	Harness, Battery	4
6	180030	Charger Plug 80a	1
7	F501805	Thread	1
8	280002	Charger	1